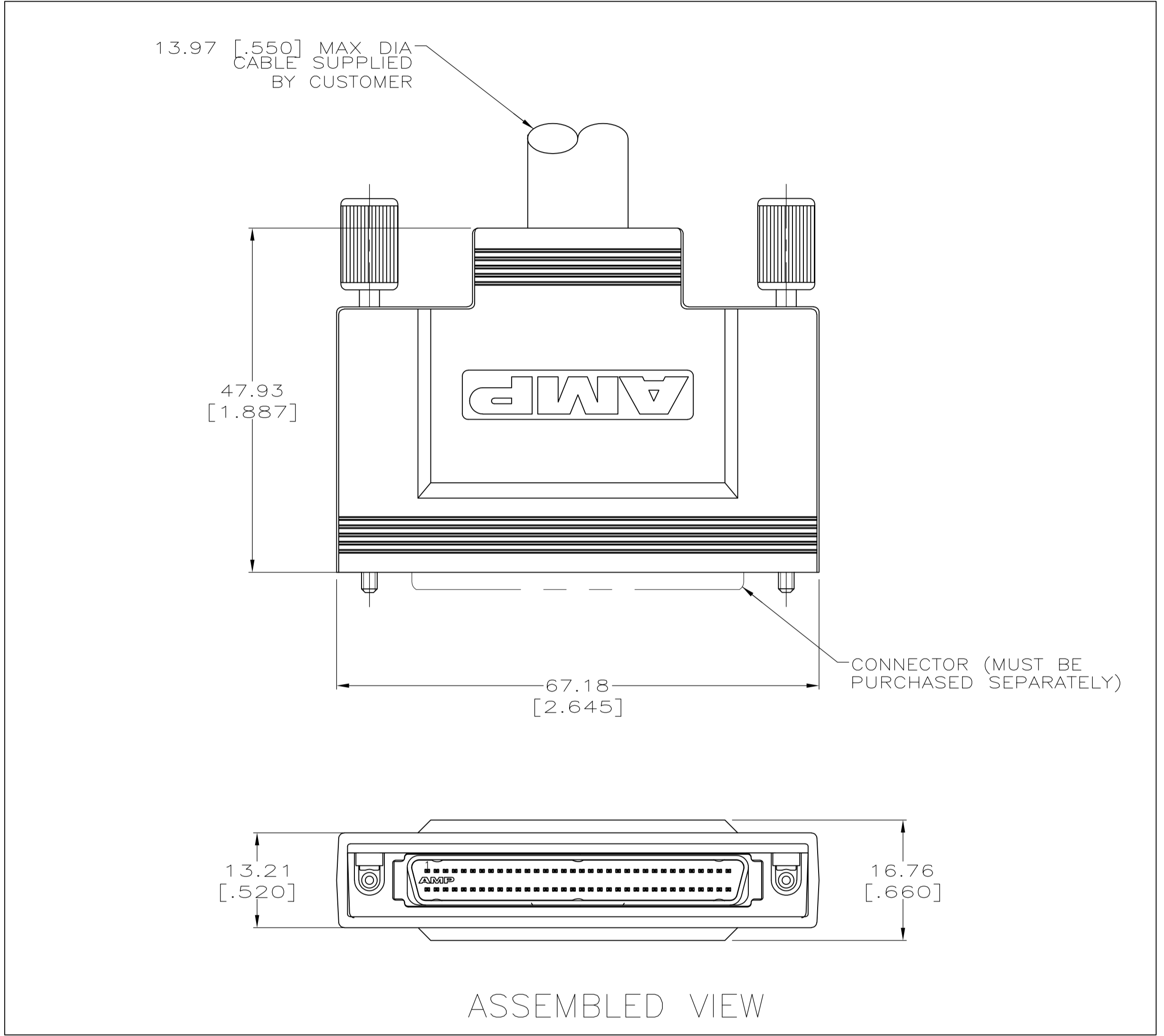
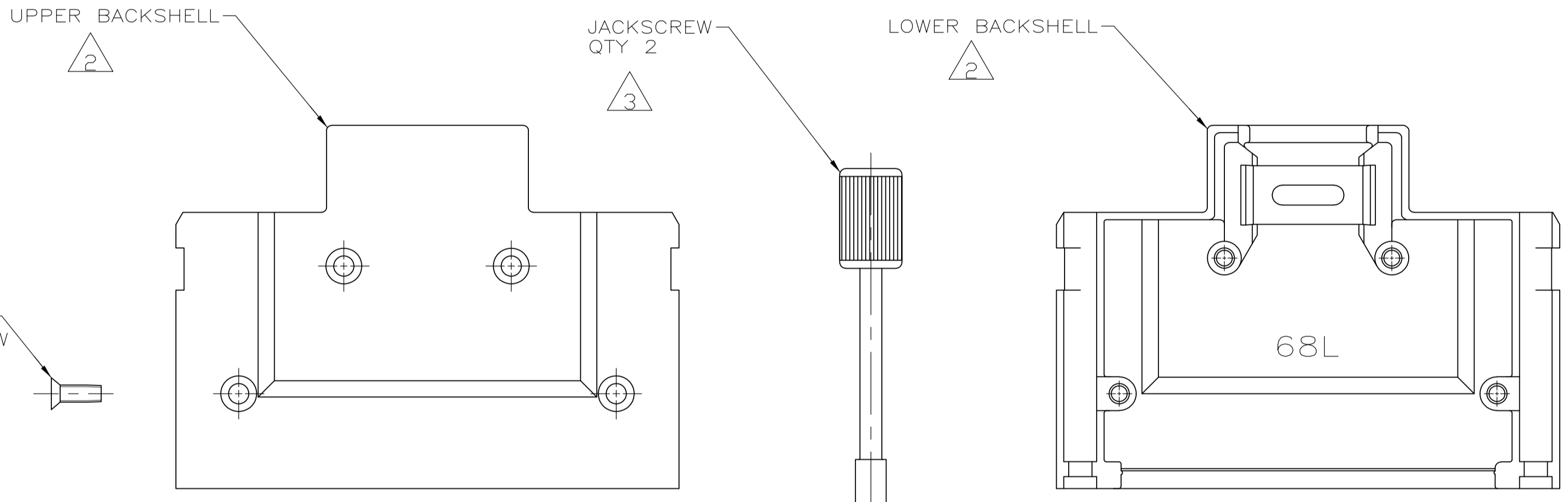
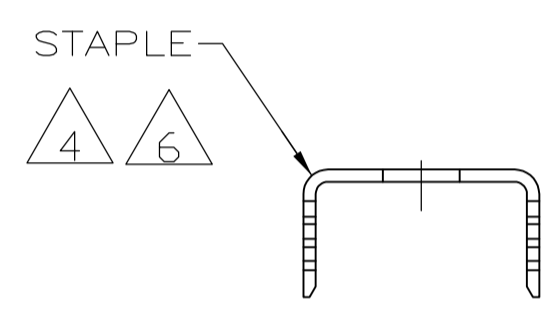
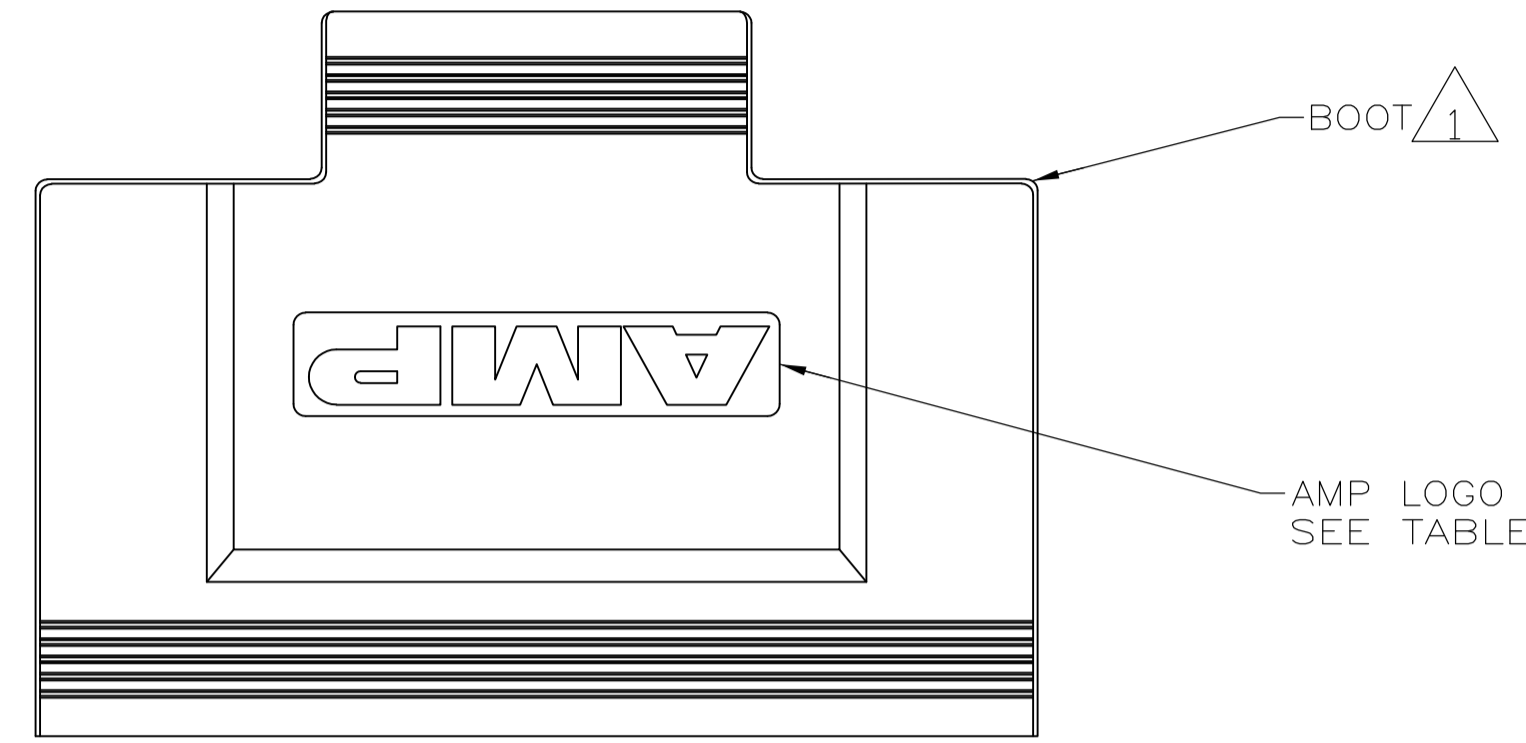


REVISIONS					
P	LTR	DESCRIPTION	DATE	DWN	APVD
C		REVISED PER ECO-16-005483	13APR2016	AP	DG



- 1 PVC, BLACK.
- 2 ZINC.
- 3 STAINLESS STEEL
- 4 CARBON STEEL.
- 5 STAINLESS STEEL.
- 6 1.27µm [.000050] MIN BRIGHT TIN OVER 1.27µm [.000050] MIN NICKEL.
- 7 PARTS INDIVIDUAL BULK PACKAGED.
- 8 PARTS PACKAGED AS A UNIT KIT.
- 9 OBSOLETE PARTS: OBSOLETE CIS STREAMLINING PER D.RENAUD/D.SINISI

OBSOLETE	NO	YES	2-56	7	5750752-5
9	YES	YES	2-56	8	5750752-4
	NO	NO	2-56	7	5750752-3
	YES	YES	4-40	7	5750752-2
	YES	YES	2-56	7	5750752-1
	AMP LOGO	BOOT	JACKSCREW THREAD		PART NUMBER

**COPYRIGHT 2005
TYCO ELECTRONICS CORP
ALL RIGHTS RESERVED**

THIS DRAWING IS A CONTROLLED DOCUMENT. DIMENSIONING AND TOLERANCING PER ASME Y14.5M-2009

DIMENSIONS: INCHES

TOLERANCES UNLESS OTHERWISE SPECIFIED:

0. PLC	± .001
1. PLC	± .002
2. PLC	± .005
3. PLC	± .010
4. PLC	± .015
ANGLES	± .5°

MATERIAL: - FINISH: -

APPROVED: G. PETERS, S. SHUEY, M. WALMSLEY

DATE: 26AUG05

NAME: BACKSHELL KIT, UNASSEMBLED, 68 POSN, AMPLIMITE .050 Series

SIZE: A1

WEIGHT: 0.000000

CAGE CODE: 00779

DRAWING NO: 5750752

RESTRICTED TO: -

CUSTOMER DRAWING

SCALE: 1:1

SHEET: 1 OF 1

REV: C